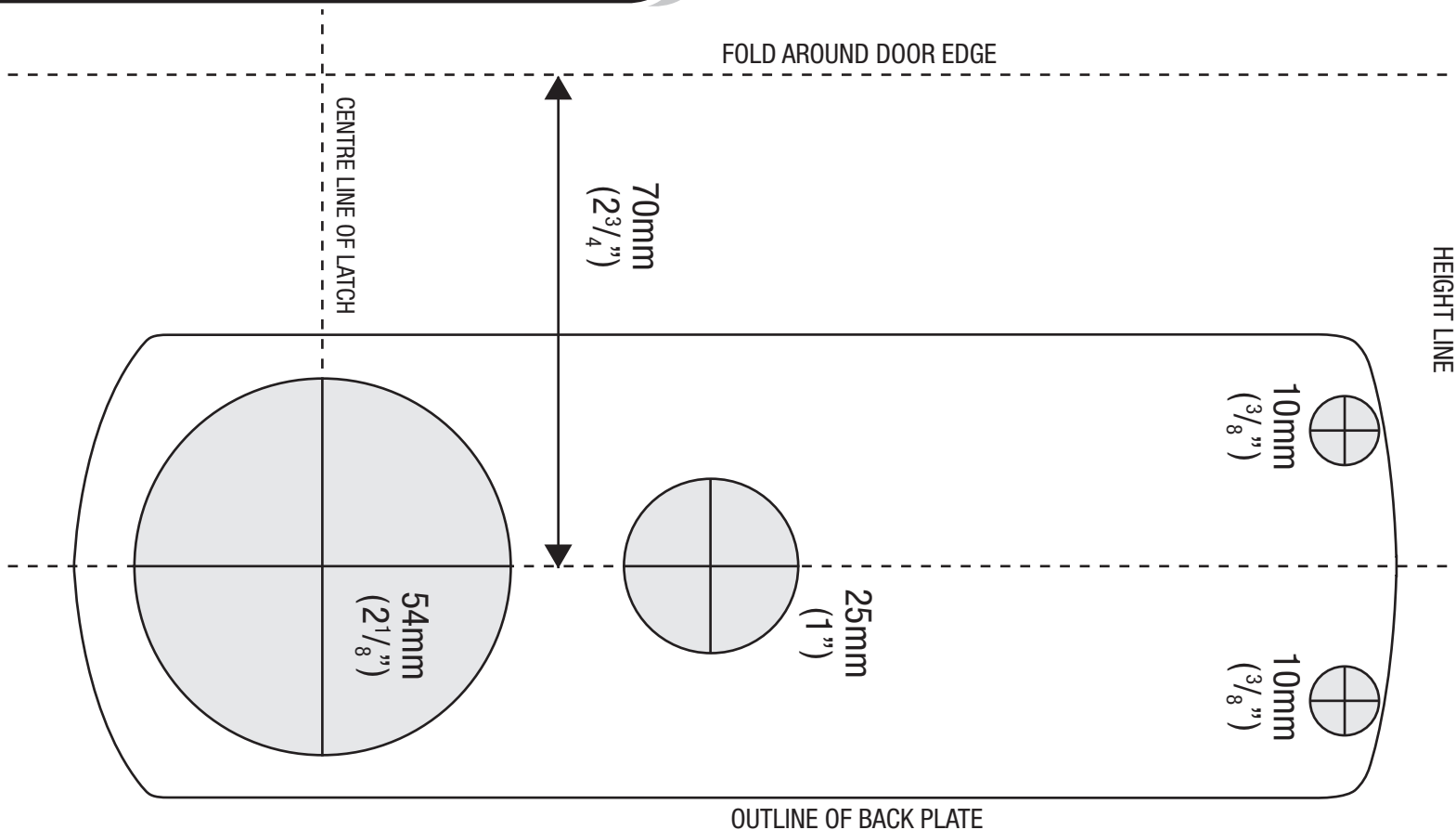


# US VERSION CL5210/5210AT/5510 TEMPLATE



# US VERSION CL5210/5210AT/5510 TEMPLATE

